

VAPOR TIGHT FIXTURE SERIES



DESCRIPTION

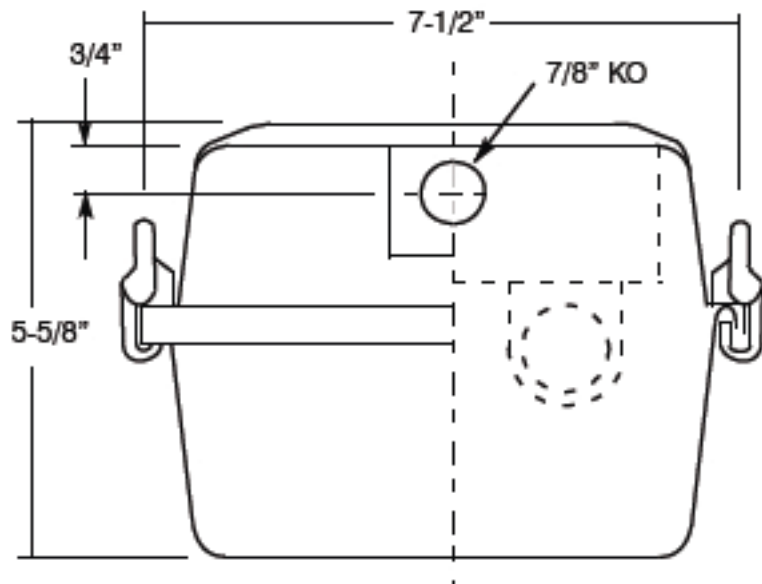
A 2-light gasketed fluorescent fixture suitable for damp locations. Uses instant start T8.

Mounting: Fixtures designed for surface mounting.

CONSTRUCTION

Internal Fixture: Die-formed 21-gauge cold rolled steel. Snap-on die-formed white steel cover.

External Enclosure: Non-yellowing acrylic diffusers sealed and secured with latches to the fiberglass housing. Diffusers have an interior finish to reduce glare.



ELECTRICAL

120v, 60Hz, solid state electronic ballast, direct wire, UL/CUL listed for dry or damp locations.

OPTIONS

Add "277" for 277v wiring
Add "L" for low ballast factor rebate-eligible fixture

ORDERING INFORMATION

<u>Model Number</u>	<u>Lamps</u>	<u>Length (L)</u>
VT232E	(2) F32T8	49 15/16"
VT232T/E	(4) F32T8	97 7/8"