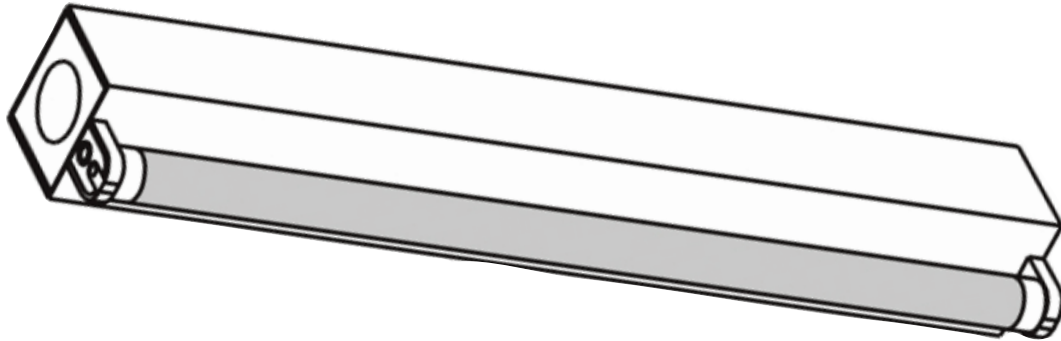


MINIATURE STRIP SERIES



DESCRIPTION

A versatile miniature fluorescent strip fixture with a single T5 lamp on top. Suitable for a wide range of applications where compact size and maximum light is needed.

Mounting: Fixtures designed for surface, chain, cable, or stem hanging. Can be installed as individual units, in continuous rows or in conjunction with other fixtures.

CONSTRUCTION

Housing: Die-formed 21-gauge cold rolled steel.

Cover: Bolt-on die-formed white steel.

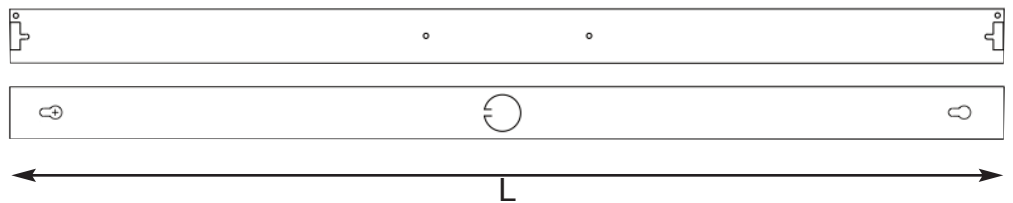
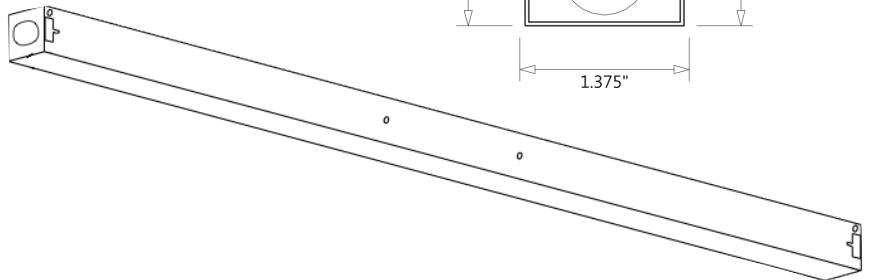
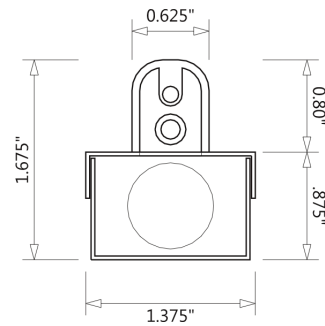
Finish: Phosphate coated, baked white enamel with 85% reflectivity.

ELECTRICAL

120v, 60Hz, solid state electronic high power factor ballast, direct wire, UL/CUL listed for dry or damp locations.

OPTIONS

Add "SJT" for grounded cord & plug, specify length.



ORDERING INFORMATION

<u>Model Number</u>	<u>Lamps</u>	<u>Length (L)</u>
MN114E	F14T5	22 7/16"
MN121E	F21T5	34 9/32"
MN128E	F28T5	46 1/16"