

## LINEAR PERFORATED PENDANT



### DESCRIPTION

This low-profile direct/indirect fixture provides glare free ambient lighting. The hinged micro perforated baffle with white opal acrylic inlay combines soft downlight with even ceiling illumination.

Designed for cable, pendant or chain mounting this fixture may be installed in continuous runs or tandem configurations with a joiner assembly.

### CONSTRUCTION

Construction: Die-formed heavy-gauge pre-painted cold rolled steel (CRS).

Baffle: Cold rolled steel with 5/64" diameter microperforations at staggered 7/64" intervals

Diffuser: .020 white opal acrylic (included).

Finish: White polyester polymer with a minimum of 82% reflectivity.

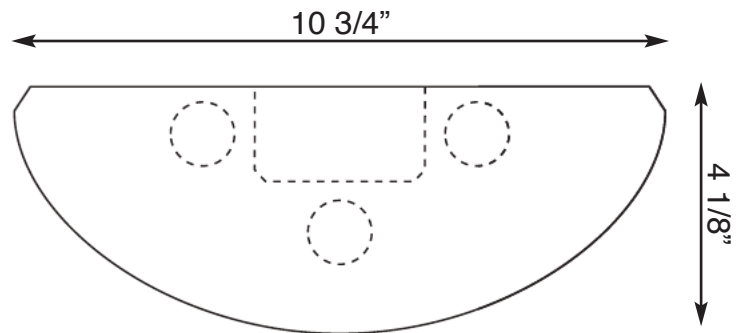
### ELECTRICAL

Completely wired with solid state electronic ballast, ready to direct wire install over standard junction box. 120v, 60Hz, UL/CUL damp location listed.

### OPTIONS

Add "277" for 277v wiring

Add "L" for low ballast factor rebate-eligible fixture



### ORDERING INFORMATION

<u>Model Number</u>	<u>Lamps</u>	<u>Length (L)</u>
LPP332E	(3) F32T8	48"
LPP332T/E	(6) F32T8	96"