

## EXIT SIGN RETROFITS

### DESCRIPTION

Slim and low-profile, self-contained all plastic solid state LED light sets to directly replace existing screw in or push in lamps inside exit signs. Hardwire in place inside outdated exit signs. 100,000 hour long life.

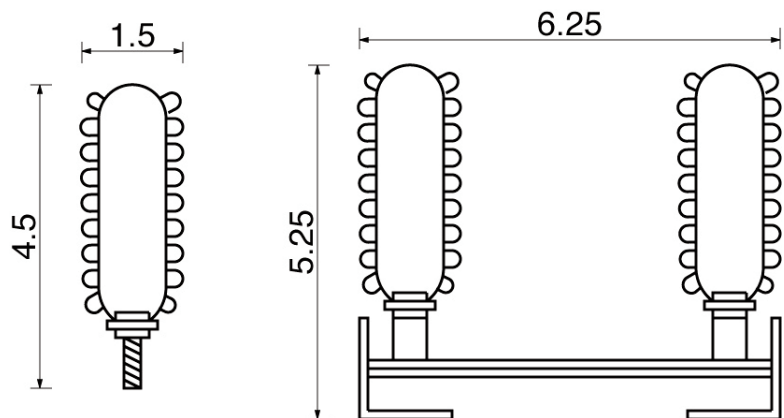
Mounting: Screw-in on "S" style (bayonet adapter included); Push in for 5-7-9 "P" style; industrial grade pressure sensitive foam and adjustable brackets included for "H" style.

### CONSTRUCTION

Molded, V-O flame retardant, high impact plastic, in a soft neutral off-white color.

### ELECTRICAL

Completely self contained with LED's, draws less than 3 watts total per pair, ready to directly install inside most exit signs. 120 VOLT, 60HZ, AC, ETL tested.



### ORDERING INFORMATION

| <u>Model Number</u> | <u>Letter Color</u> | <u>Total Watts</u> |
|---------------------|---------------------|--------------------|
| XFR                 | Red                 | 2.8W Per Kit       |
| XFR-HW              | Red                 | 2.8W Per Kit       |