

CRD DRUM SERIES



DESCRIPTION

Simple round fixture with acrylic drum diffuser for ceiling and wall lighting. Uses compact quad or circline fluorescent lamps.

Mounting: Fixtures designed for surface mounting vertically on wall or horizontally on ceiling.

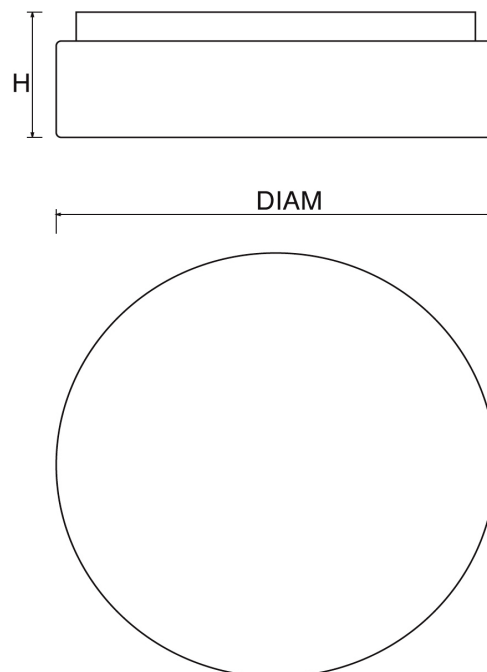
CONSTRUCTION

Housing: Die-formed cold rolled steel with baked white enamel finish.

Diffuser: White acrylic lens held in place with set screws..

ELECTRICAL

Completely wired with solid state electronic ballast, ready to direct wire install over standard ceiling junction box. 120v, 60Hz, UL/CUL damp location listed.



ORDERING INFORMATION

<u>Model Number</u>	<u>Lamps</u>	<u>Height (H)</u>	<u>Diameter</u>
CRD11-122E	(1) FC8T9	3 1/8"	11"
CRD11-213BXE	(2) CFQ13	3 1/8"	11"
CRD14-2232E	(1) FC8T9 (1) FC12T9	3 5/8"	14"
CRD14-313BXE	(3) CFQ13	3 5/8"	14"