

## CH 2-LITE STRIP SERIES



### DESCRIPTION

A 2-light fluorescent strip fixture suitable for a wide range of applications. Uses instant start T8 or rapid start T12 lamps.

Mounting: Fixtures designed for surface, chain and stem hanging. Can be installed as individual units, in continuous rows or in conjunction with other housings.

### CONSTRUCTION

Housing: Die-formed 21-gauge cold rolled steel. Cover: Snap-on die-formed white steel.

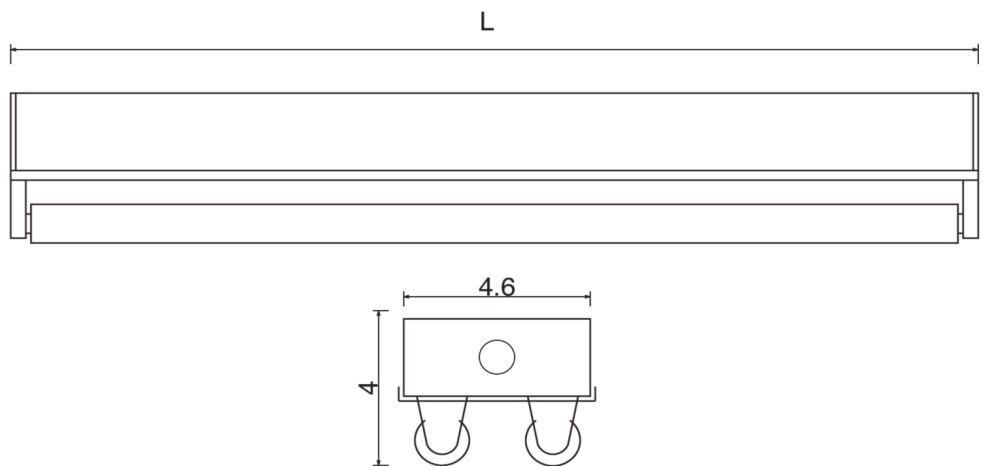
Finish: Phosphate coated, baked white enamel with 85% reflectivity.

### ELECTRICAL

120v, 60Hz, solid state electronic ballast, direct wire, UL/CUL listed for dry or damp locations.

### OPTIONS

- Add "CAP" for grounded cord & plug
- Add "CO" for convenience outlet
- Add "ILS" for in-line switch on cord
- Add "D" for damp location listing
- Add "CS" for chain hanging set
- Add "277" for 277v wiring
- Add "L" for low ballast factor rebate-eligible fixture
- Add "H" for high ballast factor



### ORDERING INFORMATION

<u>Model Number</u>	<u>Lamps</u>	<u>Length (L)</u>
CH215E	(2) F15T8/T12	18"
CH217E	(2) F17T8	24"
CH220E	(2) F20T12	24"
CH224E/HO	(2) F24T12/HO	24"
CH225E	(2) F25T8	36"
CH225T/E	(4) F25T8	72"
CH232E	(2) F32T8	48"
CH232T/E	(4) F32T8	96"
CH236E/HO	(2) F36T12/HO	36"
CH248E/HO	(2) F48T12/HO	48"
CH272E/HO	(2) F72T12/HO	72"
CH296E/HO	(2) F96T12/HO	96"